

SunPhase Radiant Heater



MODEL No:

SunPhase 25E LP/NG

SunPhase 16E LP/NG

INSTALLATION AND OPERATING INSTRUCTIONS

Parasol Heaters Australia - 61 3 9549 4466

CONTENTS

PRODUCT DESCRIPTION.....	3
IMPORTANT INFORMATION REGARDING UNIT.....	4
DIMENSIONS and WIRING.....	5
UNIT CLEARANCE.....	6
PRIOR TO INSTALLING.....	7
INSTALLATION INSTRUCTIONS.....	8
OPERATING INSTRUCTIONS.....	9
TROUBLE SHOOTING.....	10
WARRANTY.....	11

PRODUCT DESCRIPTION

The SunPhase wall mount range of infra-red radiant heaters provides 16 and 25 mega joule input models, available in both Natural Gas and LPG.

This unit has electronic ignition.

Installation is made easy with wall plate fixing and removable mounting bracket.

All heaters come with a 12-month parts only warranty from the date of purchase, and are fully serviceable with readily available parts if required. Delivery is available throughout Australia and overseas.

**The SunPhase heater provides radiant heat for you, your
family and friends.**

For Outdoor and Commercial Indoor operation.

IMPORTANT INFORMATION REGARDING UNIT



WARNING!

This heater must be installed to the requirements of gas code AS/NZ 5601 and to the requirements of the local authorities both gas and electrical.



WARNING!

This heater needs 240 VAC power.



WARNING!

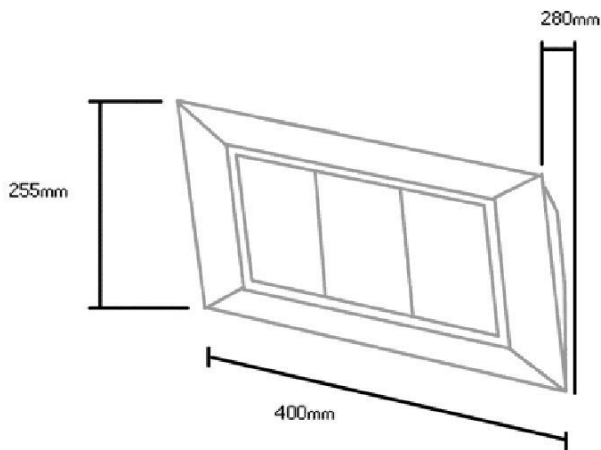
This appliance must be installed with the correct pipe size and gas pressure to operate correctly.
The gas installer must ensure that the gas piping is of adequate size to ensure correct pressure and volume suited for the burners.
The burner pressure should be checked when all the gas equipment on the site is operating.

PLEASE NOTE:

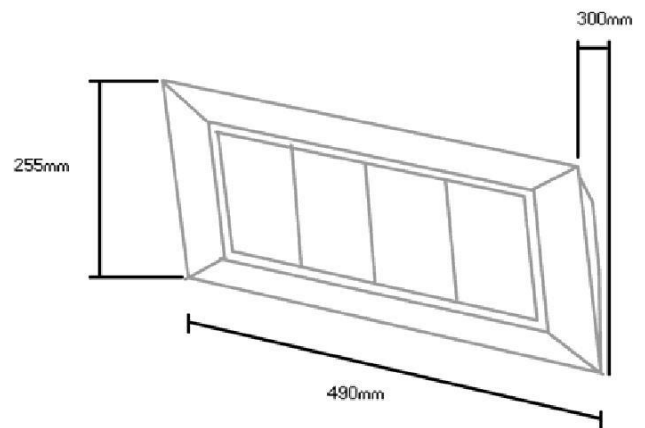
- Prior to lighting the heater, ensure that the protective plastic coating from the stainless steel parts has been removed.
- Do not place articles on or against this appliance.
- Do not spray aerosols in the vicinity of this appliance.
- Do not use or store flammable materials near this appliance.
- Do not operate with covers or panels removed.
- Children and adults should be alerted to the hazards of high surface temperatures, burns and clothing ignition.
- Young children should be carefully supervised when they are in the area of the appliance.
- Clothing or other flammable materials should not be hung from the appliance, or placed on or near the appliance.
- Any guard or other protective device removed for servicing the appliance must be replaced prior to operating the appliance.
- Installation of appliances fitted to fixed gas supply systems and repair of all appliances must be carried out by a qualified service person.
- It is imperative that control compartment, burners and circulating air passageways of the appliance be kept clean.
- Not recommended for installation in areas with a salt-laden atmosphere.

DIMENSIONS and WIRING

Model dimensions are shown on the line drawings. The gas connection is located at the bottom left-hand corner 125mm from the front face.

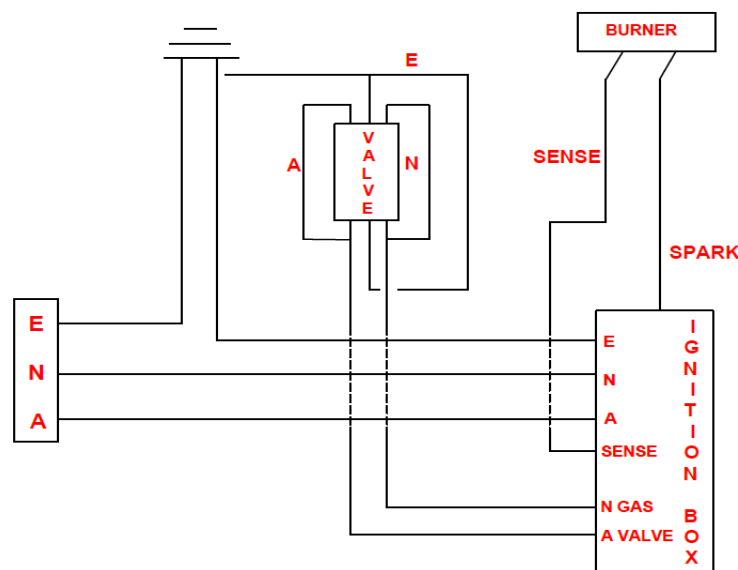


MODEL: SunPhase 16E LP/NG



MODEL: SunPhase 25E LP/NG

Wiring Diagram:



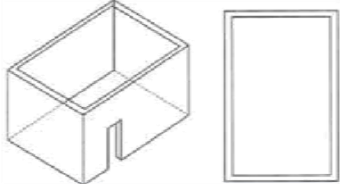
UNIT CLEARANCE

The unit must have the following clearances from combustible materials: 300mm above at 30° tilt angle / 500mm at any other angle (without outer case kit), 450mm at the sides and 1200mm below.

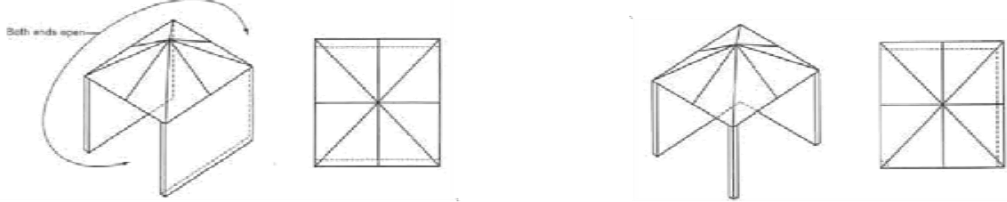
For outdoor usage - This appliance shall only be used in an above ground open- air situation with natural ventilation, without stagnant areas, where gas leakage and products of combustion are rapidly dispersed by wind and natural convection.

Any enclosure in which the appliance is used shall comply with one of the following:

An enclosure with walls on all sides, but at least one permanent opening at ground level and no overhead cover.

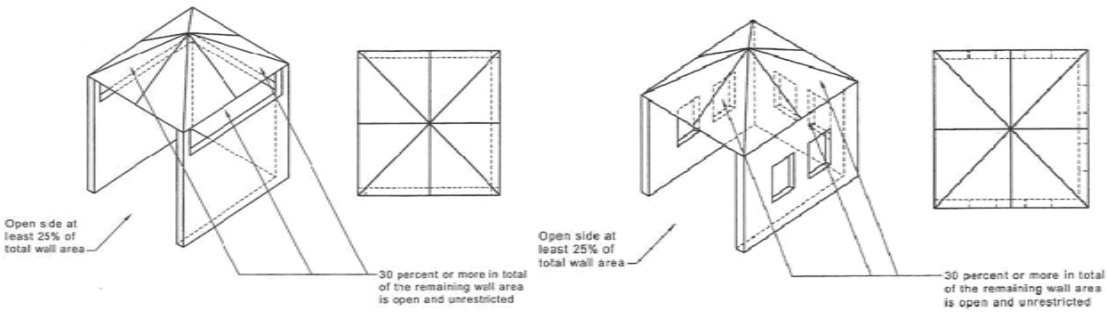


Within a partial enclosure that includes an overhead cover and no more than two walls.



Within a partial enclosure that includes an overhead cover and more than two walls, the following shall apply:

At least 25% of the total wall area is completely open, and
At least 30% of the remaining wall area is open and unrestricted.



In the case of balconies, at least 20% of the total wall area shall be and remain open and unrestricted.

PRIOR TO INSTALLING

Before installing your SunPhase heater, the following should be reviewed.

1. The gas inlet supply pressure cannot exceed 5kPa. Manifold pressure for Natural gas is 1.0kPa and for LPG is 2.7 kPa.
2. Do not locate the gas supply line or the electrical supply near the heat outlet of the heater.
3. The heater must be installed in a location where it is readily accessible for service and have no restrictions of air flow.
4. When installed outdoors this heater must be in a covered area protected from rain water.
5. For all installations this appliance must be a minimum of 1.8m above floor level.

Please note:

If installed outdoors this appliance shall only be used in an above ground open air situation with natural ventilation, without stagnant areas, where gas leakage and products of combustion are rapidly dispersed by wind and natural convection.

This appliance may be installed indoors in commercial premises. The minimum room volume is 125 M³ (Model SunPhase 25E LP/NG) and 80 M³ (Model SunPhase 16E LP/NG). If this appliance is to be installed indoors check with your local gas authority to determine the minimum height of installation.

This appliance must only be used in a well ventilated area.

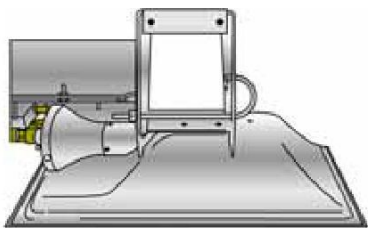
In winds exceeding 10KM/h this heater may go to a safe shut down.

The manufacturer does not warrant the operation of the heater if installed in areas with wind speeds in excess of 10km/hr, without some form of wind protection such as drop-down plastic blinds

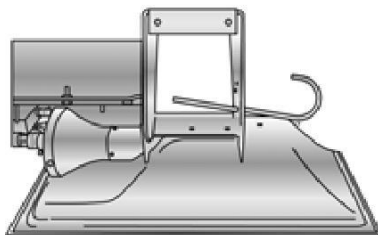
INSTALLATION INSTRUCTIONS

This appliance must be installed by an authorised person.

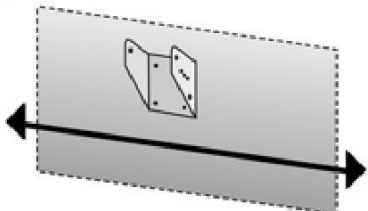
1. The SunPhase heater is to be securely fixed to the wall by means of the wall plate and mounting bracket. There are 4 bolt holes in the mounting bracket. The heater weighs 5kg. The mounting bracket fixed to the heater must not be modified in any way.
2. For fixing to a wall remove the wall plate from the mounting bracket as detailed below:



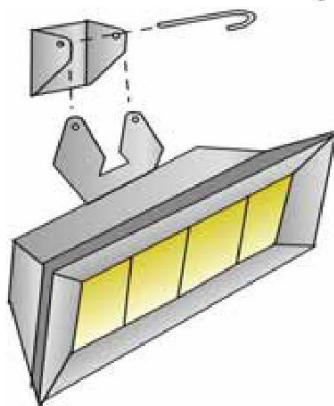
Undo the nut on the J bolt and then remove the bolt.



The bolt will slide out and then the wall plate can be taken away from the heater.



Securely attach the wall plate to the wall, ensuring it is to the horizontal.



When replacing the 'J' Bolt ensure the bolt is pushed fully into the holes and that the heater is at the desired tilt angle. Replace the nut.

If the heater is being fitted with an outer case kit the angle must be 30 degrees which is the maximum down tilt. This is the factory set position.

INSTALLATION INSTRUCTIONS (Continued...)

3. The pressure regulator supplied with the appliance is to be fitted to the gas supply line as close as practical to the heater (natural gas models only). The heater must be connected with an certified 15mm diameter braided stainless steel hose.
4. The heater needs to be wired to the main electrical supply by a licensed electrician and each heater should have its own isolation switch.
5. When the installation is complete test the gas line for soundness with a manometer then test fire the heater and check that the gas pressure is correct.
6. If the heater cannot be adjusted to operate correctly contact the supplier or your nearest Parasol Heaters Australia office.

OPERATING INSTRUCTIONS

To light the heater, turn the power on. The unit has a 15 second spark for ignition time. If it does not light by the end of this time you will need to turn the power off and wait for 5 minutes and then turn the power back on again.

To turn the heater off, turn the power off.

This heater should burn with a blue flame and the tiles should glow red. If the heater burns with a long yellow flame or starts to soot turn off and contact a qualified service person.

**We recommend that this heater be serviced every 12 months.
Servicing shall be carried out only by authorised personnel.**

TROUBLE SHOOTING

Problem

Problem solving checks

Unit fails to ignite

Check that gas supply is on.

Check electrode for spark.

Make sure electrode assembly has not been moved in transportation.

Unit lights but then goes out

Check that polarity is correct.

Check that sense wire is connected properly.

Check that power supply to the unit is earthed.

Heater runs and then goes out

Check wind conditions.

Heater will not run when wind is above 10km/h.

If power supply to property dips below 190 VAC heater will go out.

Check gas pressure. Pressure details on data plate.

WARRANTY

- Domestic and commercial, 12 months from the date of purchase
– parts only, subject to installation in accordance with conditions detailed on page 7.

- In the event of the unit having to be returned for repair, it must be forwarded to:

12 Yiannis Court, Springvale VIC 3171 (at the customers' cost).

Return to the customer to be free of charge.

For further details contact our Head Office:

12 Yiannis Court, Springvale VIC 3171

PHONE - 61 3 9549 4466 / FAX - 61 3 9546 6069